

Name **Velox V10 Kit Setup**

Date **02 / 08 / 2009**

Track location	Wiesbaden		
Track name	RC Speedway		
Track length	260	m	
Race Event	SM Lauf		
Practice	Qualifying	<input checked="" type="checkbox"/>	Final
Race duration	5:00	min.	
Track layout	technical	<input checked="" type="checkbox"/>	fast <input type="checkbox"/> mixed <input type="checkbox"/>
Traction	low	medium	<input checked="" type="checkbox"/> high
Temperature	Air 22°C	Track	25°C
Results	Laps 18	Time 5:02,826	Position 2
	Fastest lap 15,95	Tank duration 5:25	

Engine			
Brand	Novarossi	Type	Flash .12
Glowplug	C-6TGF	Shims	std
Carburator	std	Venturi	5,4
Exhaust			
Manifold	N-41616		
Muffler	N-2652		
Fuel	Brand MLC 2009	Nitro	16 %
Clutch	Type VCC V10		
Clutch shoe	Flyweights	Spring	
black / std	std	hard / std	
Bell clearance	Preload		
0,45	0,35		

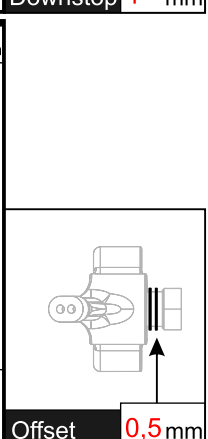
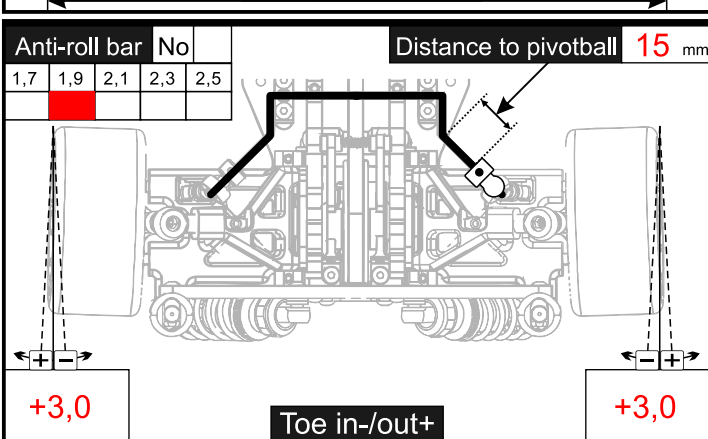
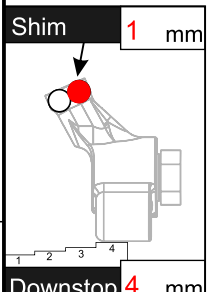
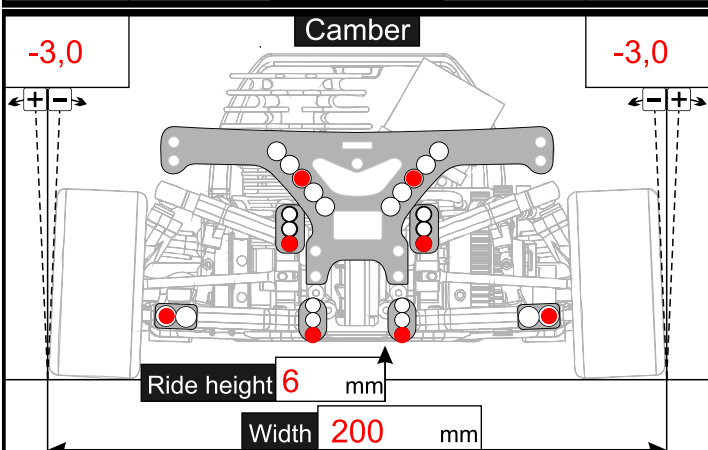
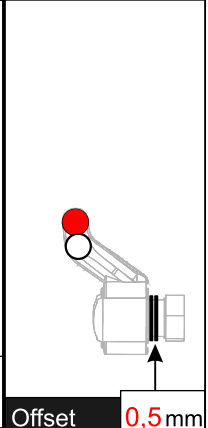
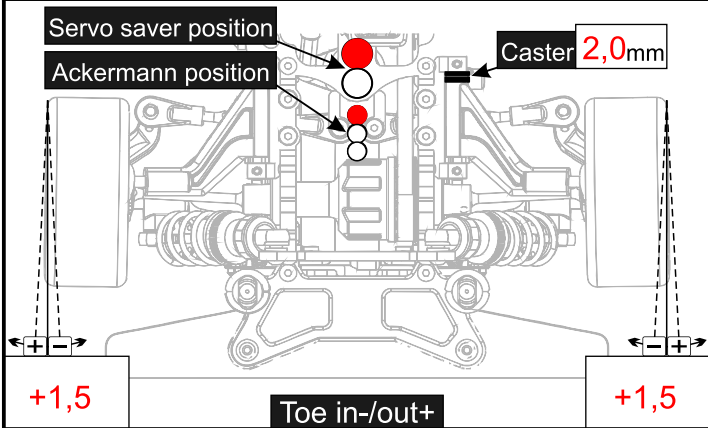
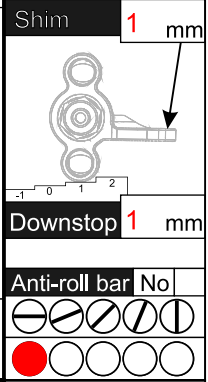
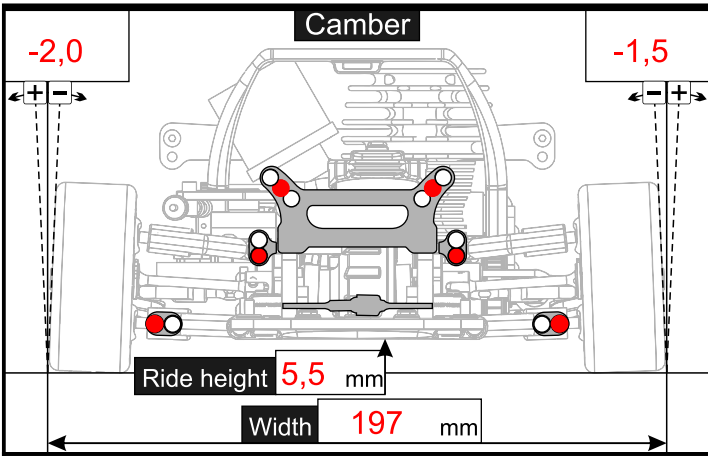
Drive ratio			
1st gear clutch bell	17	<input checked="" type="checkbox"/>	18
2nd gear clutch bell	21	<input checked="" type="checkbox"/>	22 23
1st gear gearbox	58	59	<input checked="" type="checkbox"/> 60
2nd gear gearbox	53	54	<input checked="" type="checkbox"/> 55

Tyres			
Front left/right	Brand	Rear left/right	
Enneti / Enneti	Shore	Enneti / Enneti	
37 / 37		40 / 40	
59 / 59	Diameter start	61 / 62	
57 / 56	Diameter end	58 / 58	

Front differential			
Differential	<input checked="" type="checkbox"/> Solid axle	<input type="checkbox"/> One way	
Oil	100 000	cST	
Rear differential			
Oil	80 000	cST	

Body	Brand Protoform	Type	Stratus 3.1
Distance from bumper	0,0	mm	
Spoiler	width 200 mm	height	max. mm
Position	distance to body rear	10	mm
Winglets	35 mm x 20 mm		

Notes



Rear Shocks			
Piston	1hole	2hole	<input checked="" type="checkbox"/> 3hole
Spring floating piston	Soft	<input checked="" type="checkbox"/>	Hard
Shock oil	500 cST		
Spring	Shepherd green		

Front Shocks			
Piston	1hole	<input checked="" type="checkbox"/> 2hole	3hole
Spring floating piston	Soft	<input checked="" type="checkbox"/>	Hard
Shock oil	500 cST		
Spring	Shepherd green		